

Corsa
del cilindro /
Cylinder stroke
500
mm/sec

PSS

**PRESSA OLEODINAMICA
PER VARIE LAVORAZIONI**

**HYDRAULIC PRESS
FOR VARIOUS PROCESSING**



A 2 MONTANTI

DOUBLE STANCHION

SICMI

PRESSE OLEODINAMICHE

PSS

PRESSA OLEODINAMICA PER VARIE LAVORAZIONI

HYDRAULIC PRESS FOR VARIOUS PROCESSING

CARATTERISTICHE

Centralina a due velocità, sollevamento bancale con catena, corsa cilindro 500 mm.

UTILIZZO

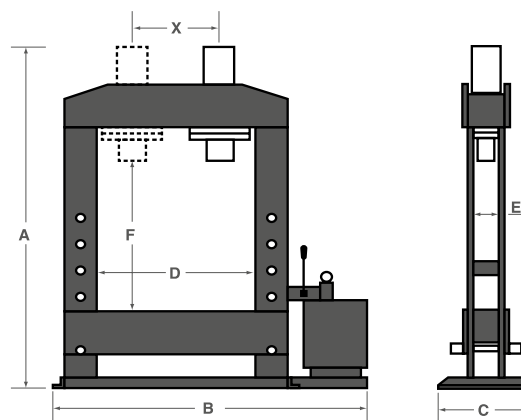
Montaggi, raddrizzature e aggiustaggi.

COMANDI

LEVA e PULSANTE coordinati, rispondenti alle normative CE.

ACCESSORI

Piano di appoggio lavoro, prismi a V, SEMICICLO con Leva e Pulsante coordinati, con microns di arresto salita/discesa.



FEATURES

Hydraulic unit with double speed, work table lifting by chain, cylinder stroke 500 mm.

USE

Assembling, straightening and fitting works.

CONTROLS

By coordinate LEVER and PUSHBUTTON, following to "CE" norms.

OPTIONALS

Work supporting plate, couple of "V" prisma, SEMIAUTOMATIC control by coordinate Lever and Pushbutton + microns for up/downstroke stop.

MODELLO Model	Tonn.	A	B	C	D	E	F	X	CORSA Stroke	VELOCITÀ AVVICINAMENTO mm/sec Approaching speed	VELOCITÀ LAVORO mm/sec Working speed	KW	PESO Weight kg
PSS 20	20	1950	1150	500	520	110	800	● FISSO	500	29	4	0,75	225
PSS 40	40	2250	1600	700	900	180	900	● FISSO	500	29	4	1,5	480
PSS 70	70	2300	1700	700	900	210	900	● FISSO	500	20	2	1,5	720
PSS 70M	70	2300	1700	700	900	200	900	▲ 550	500	20	2	1,5	850
PSS 100	100	2400	1900	850	1050	250	900	● FISSO	500	25	2	2	1100
PSS 100M	100	2400	1900	1000	1050	250	900	▲ 60	500	25	2	2	1250
PSS 100MC	100	2400	2400	1000	1500	240	850	▲ 1150	500	25	2	2	1600
PSS 150	150	2700	2500	1200	1500	370	900	● FISSO	500	21	3	4	2600
PSS 150M	150	2700	2500	1200	1500	350	900	▲ 1150	500	21	3	4	2700
PSS 200	200	2850	2700	1200	1500	400	900	● FISSO	500	20	2	4	3840
PSS 200M	200	2850	2700	1200	1500	380	900	▲ 900	500	20	2	4	4100

■ MOBILE OLEODINAMICO / MOVABLE HYDRAULIC

● FISSO / FIXED

▲ MOBILE MANUALE / MOVABLE

Sicmi si riserva il diritto di apportare modifiche eventuali senza impegno di aggiornare il presente prospetto.
Sicmi reserves all rights to make any changes without obligation to update this specification.



PRESSE OLEODINAMICHE

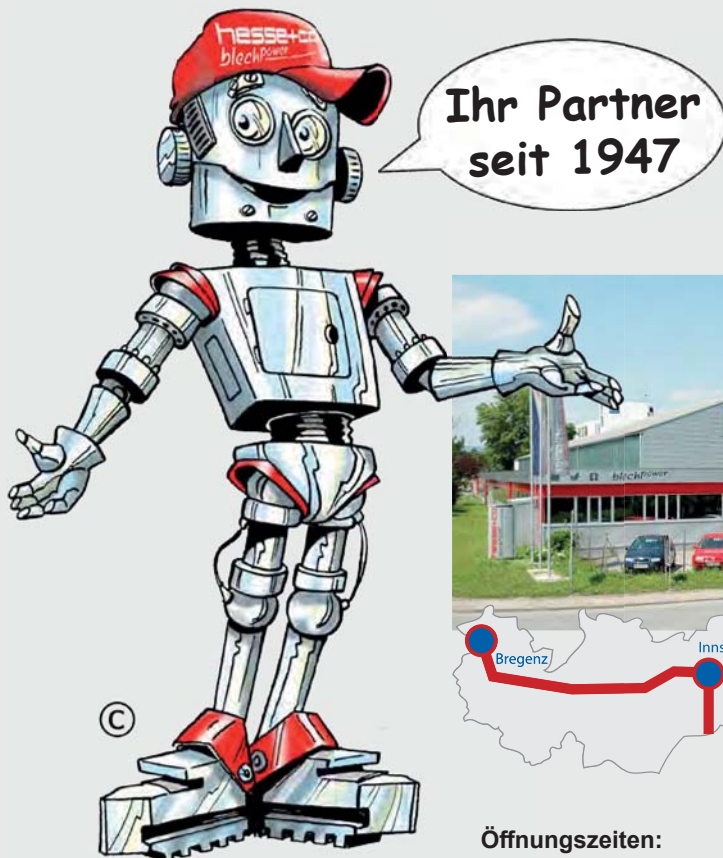
Vertrauen Sie auf über 70 Jahre Erfahrung!

Die Firma HESSE+CO wurde 1947 als Hersteller von Blechbearbeitungsmaschinen gegründet. Seit 1980 sind wir auf den Handel mit neuen sowie gebrauchten Blechbearbeitungs- und Werkzeugmaschinen spezialisiert. Wir haben ständig etwa 300 Maschinen in unserer 2.000 m² großen Ausstellungshalle, die nur 20 Minuten vom internationalen Flughafen Wien entfernt ist.

Trust in more than 70 years of experience!

HESSE+CO was established in 1947 as a manufacturer of sheet metal working machines. Since 1980 we are specialized in dealing with new and second hand sheet metal processing machines and machine tools. We always have approximately 300 machines available in our 2.000 m² showroom, which is located only 20 minutes from the Vienna International Airport, waiting for your inspection.

www.hesse-maschinen.com



Öffnungszeiten:

Mo - Do 8:00 - 16:30 Uhr
Fr 8:00 - 14:30 Uhr

HESSE+CO Maschinenfabrik GmbH
Industrienzentrum NÖ-Süd
Straße 4 - Objekt 8
A-2351 Wiener Neudorf
AUSTRIA

hesse **hesse+co**
blechpower
maschinen und werkzeuge

Technische Änderungen, Irrtum und Druckfehler vorbehalten.
Gültig bis auf Widerruf.

Tel.: +43/2236/638 70-0
Fax: +43/2236/636 62
office@hesse-maschinen.com
www.hesse-maschinen.com
www.blechpower.com